
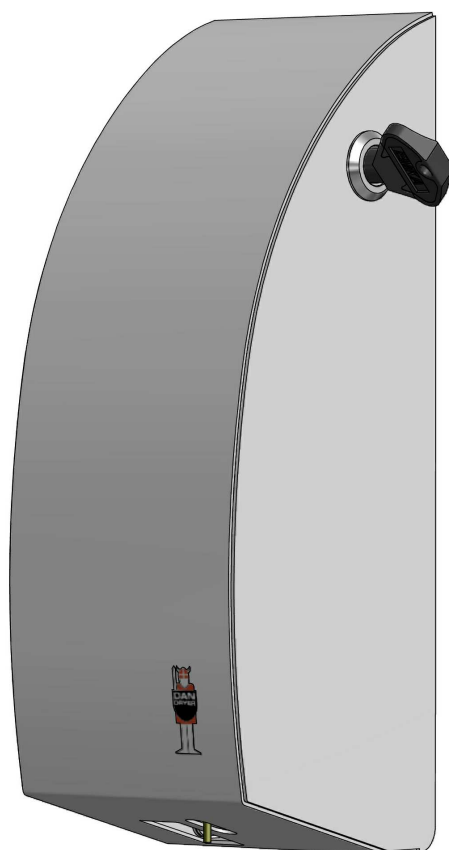



Reference	Version	Document	Lang.	Page	
EN-282 Maintenance	02.03.2014	282 Touch-free dispenser, soap/disinfec. Maintenance and service manual	ENG	1 of 14	

## 282 Touch-free DESIGN dispenser, liquid soap/disinfectant Maintenance and service manual



### Version history

Version	Description of changes	Page(s)

Reference	Version	Document	Lang.	Page	
EN-282 Maintenance	02.03.2014	282 Touch-free dispenser, soap/disinfectant Maintenance and service manual	ENG	2 of 14	

## Table of Contents:

Preface	2
General	2
Intended product use	2
The supplier's product liability	2
Safety and warnings	2
Installation and connection	3
External power supply (optional)	6
Soap filling	7
Battery exchange	9
Regular maintenance	10
Trouble shooting	10
Technical specifications	11
Dimensions	11
Spare parts	12
Appendix A - Soap filling (old version)	13
Appendix B - Battery exchange (old ver.)	14

### Preface

Thank you for purchasing your equipment from DAN DRYER A/S and congratulations on your new soap dispenser. If you use and maintain your soap dispenser according to our manual, it will work to your satisfaction for many years.

### General

The soap dispenser must only be installed and used in accordance with these instructions and safety precautions. All service staff who work with installation, servicing and repair of the soap dispenser must have read and understood this manual. If you have questions concerning the use or maintenance of your soap dispenser, you are welcome to contact us.

### Intended product use

The soap dispenser is designed for installation in indoor public or private restrooms and may only be used for liquid soap/disinfectant.

### The supplier's product liability:

DAN DRYER A/S accepts no responsibility if the soap dispenser is installed, used, modified or composed otherwise than specified in this manual.

### Warning !!!

If the soap dispenser is not installed and connected properly it can be dangerous to use due to the risk of electric shock. Always follow the installation instructions in this manual. All service staff who work with servicing and repairing of the soap dispenser must have read and understood this manual.

### Warning !!!

During cleaning, inspection, service etc. the soap dispenser must always be disconnected from the main power supply.


### Safety Precautions:

Maintenance work requiring dismantling of the soap dispenser must only be carried out by staff with proper training so the work can be carried out in a secure

### Safety Precautions:

Check before use that:

- the soap dispenser is securely attached to the wall.
- the soap dispenser is properly cleaned.
- the soap dispenser is not damaged or otherwise in disorder.

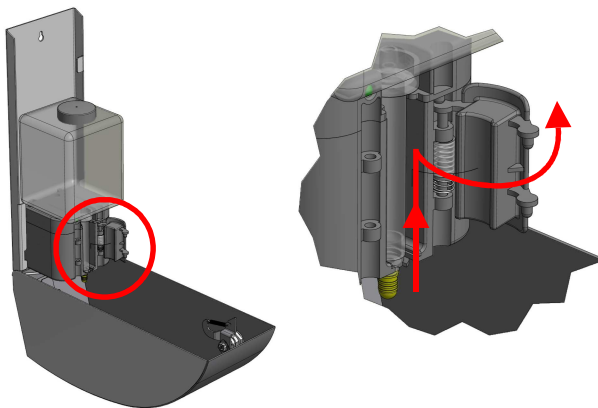
Reference	Version	Document	Lang.	Page	
EN-282 Maintenance	02.03.2014	282 Touch-free dispenser, soap/disinfect. Maintenance and service manual	ENG	3 of 14	

## Installation and connection:

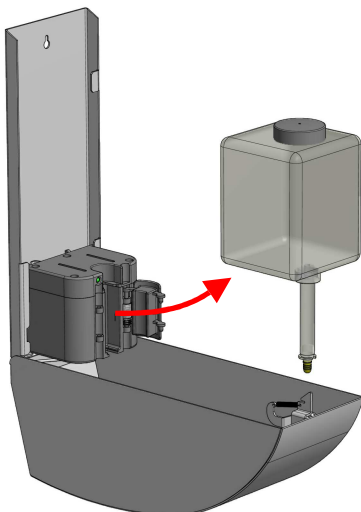
1. Open the front cover using the supplied square key



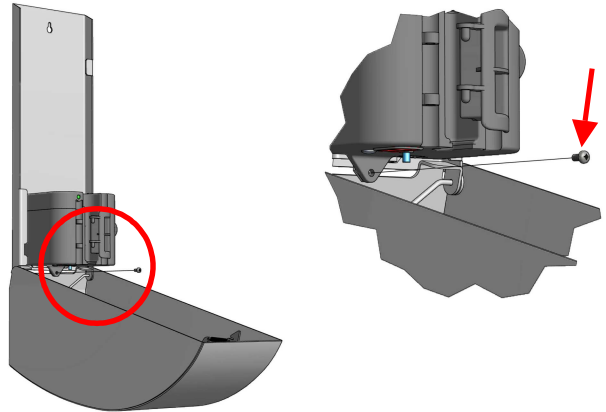
2. Open the flap on the front of the pump housing by gently lifting it approximately 1 cm and turn it anti clockwise.



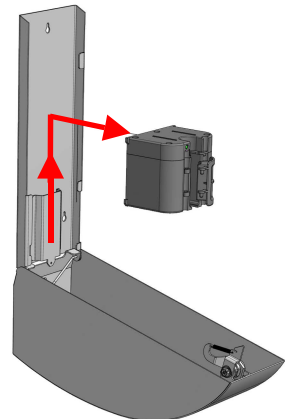
3. Remove the soap container by gently pulling it out of the pump housing.



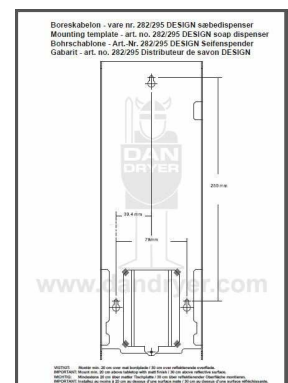
4. Remove the screw at the bottom of the pump housing




5. Remove the pump housing by gently lifting it a few centimeters up and then pull it out of the slot.



5. Mark the holes on the wall at the chosen location by using the enclosed drilling template.

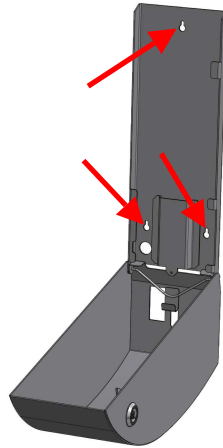


**To prevent accidental activation, the soap dispenser must be placed at least 200 mm above the tabletop (with normal reflection). If the worktop is made of stainless steel or other reflective material the minimum distance is 300 mm.**

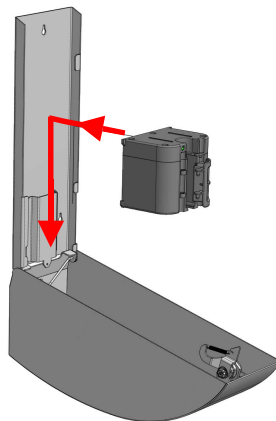
Reference	Version	Document	Lang.	Page	
EN-282 Maintenance	02.03.2014	282 Touch-free dispenser, soap/disinfect. Maintenance and service manual	ENG	4 of 14	

## Installation and connection (continued):

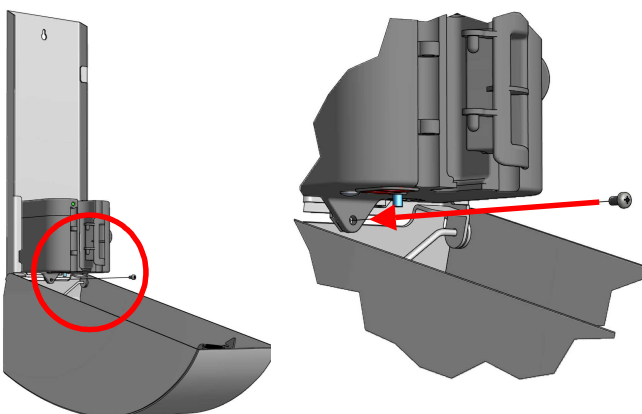
6. Mount soap dispenser on the wall using of the three screw holes. Always use screw types and plugs suitable for your wall type.



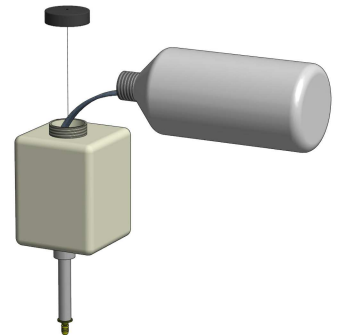
7. Mount the pump housing by gently sliding it back into the slot



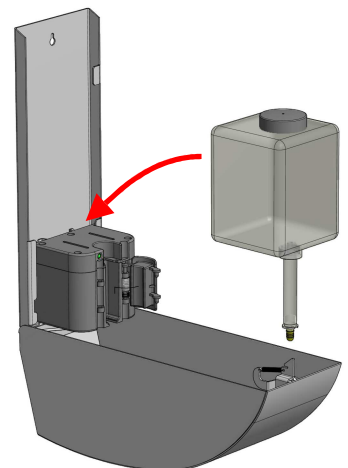
8. Mount the screw at the bottom of the pump housing



9. Remove the cap and fill the soap container with appropriate liquid soap. Refit the cap and wipe any spilled soap.

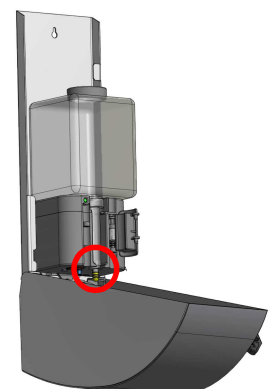


10. Mount the soap container by gently pushing it into the groove on the pump housing.




11. Pull silicone tube downwards and place the outlet nozzle in the slot. Make sure that the collar is located under the pump housing.

**If the outlet nozzle is placed or installed incorrectly, the pump will not function or its function will be decreased.**



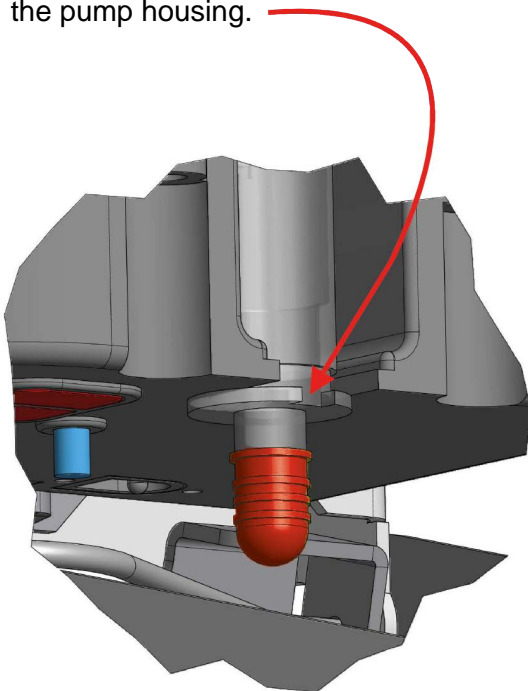
*See next page for further instructions....*

Reference	Version	Document	Lang.	Page	
EN-282 Maintenance	02.03.2014	282 Touch-free dispenser, soap/disinfect. Maintenance and service manual	ENG	5 of 14	

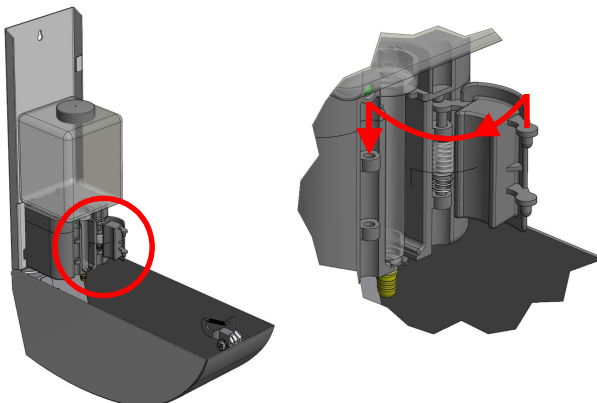
## Installation and connection (continued):

11. (continued...)

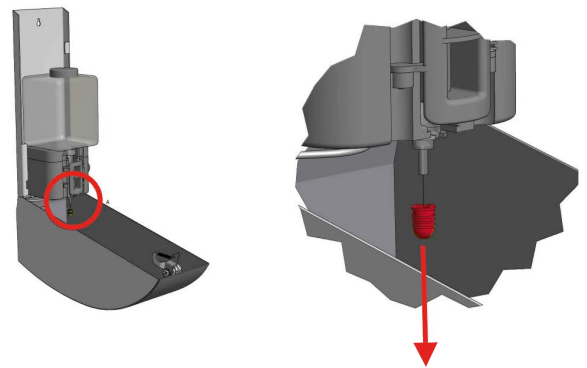
Make sure that the collar is located under the pump housing.



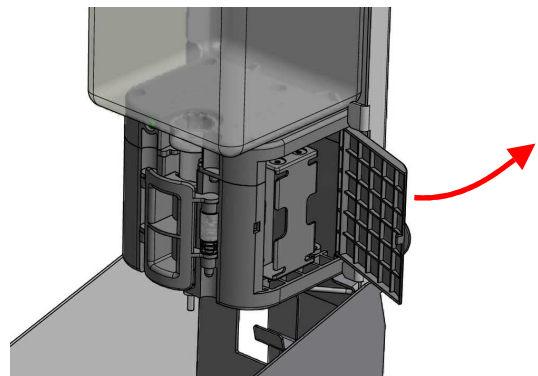
12. Close the flap on the front of the pump housing by turning clockwise and lifting it approximately 1 cm so the two pins fall into the guide holes.



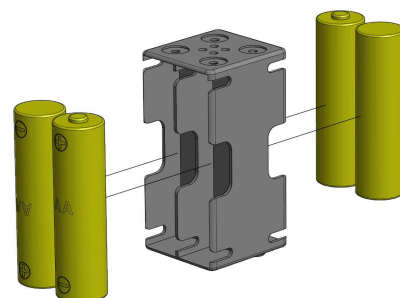
13. Remove the protective plastic plug.




14. Open the door to the battery box.  
(If you have chosen to use external power supply skip to page 6)



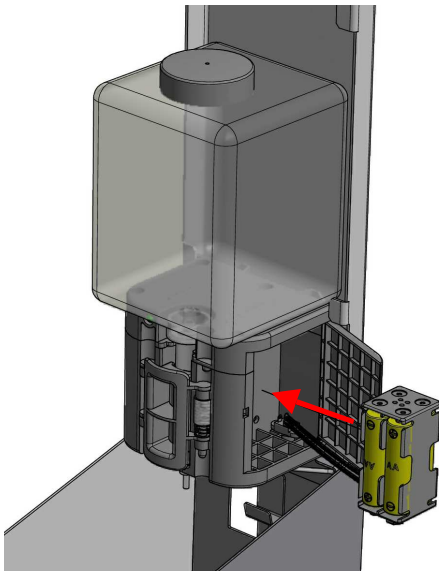
15. Carefully remove the battery box from the pump housing. Be careful not to pull the wires. Mount four AA batteries as shown. Be aware that they must be properly oriented with polarity as indicated inside the battery box.



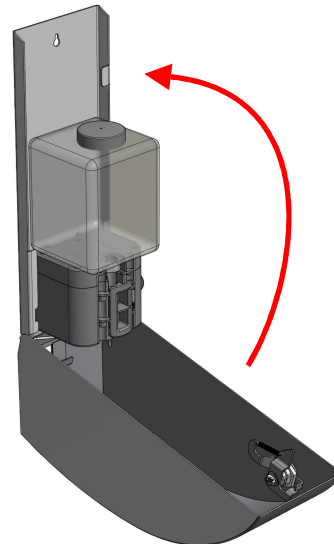
Reference	Version	Document	Lang.	Page	
EN-282 Maintenance	02.03.2014	282 Touch-free dispenser, soap/disinfec. Maintenance and service manual	ENG	6 of 14	

## Installation and connection (continued):

16. Put the battery box back into the pump housing and gently close the door to the battery box.



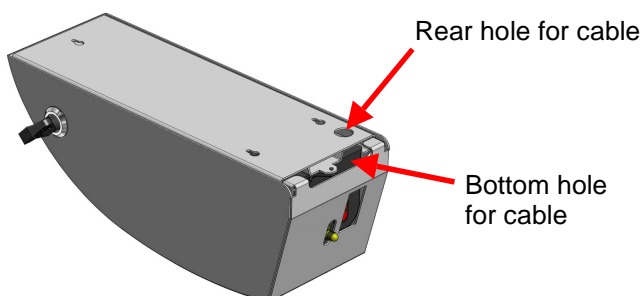
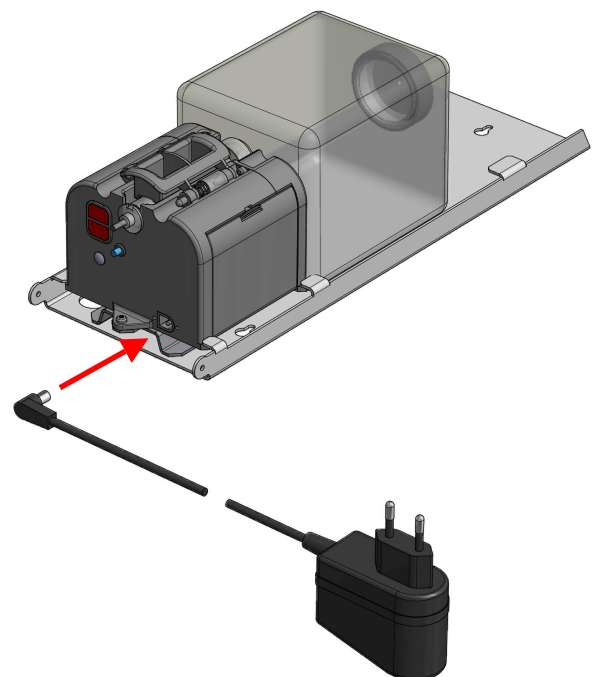
17. Close the front cover by pushing it against the wall until you hear a "click". The dispenser is now ready for use.




## External power supply (optional)

*Do not install batteries if you have chosen to use the external power supply.*

1. Connect the transformer to the pump housing
2. The cable can be passed through the bottom of the front cover or through the hole in the rear panel.
3. Make sure the cable is not pinched when the front cover is opened and closed.
4. Connect the transformer to a 230 V power outlet.



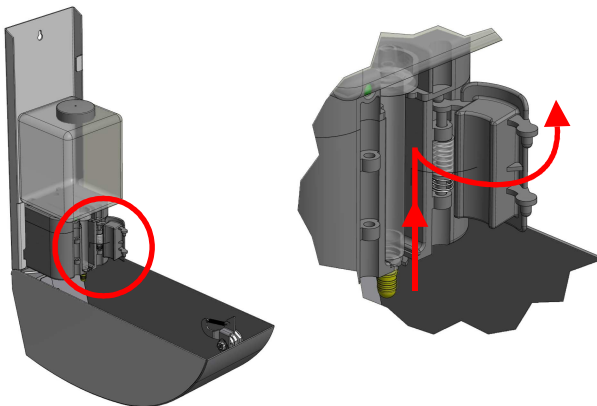
Reference	Version	Document	Lang.	Page	
EN-282 Maintenance	02.03.2014	282 Touch-free dispenser, soap/disinfect. Maintenance and service manual	ENG	7 of 14	

## Soap filling:

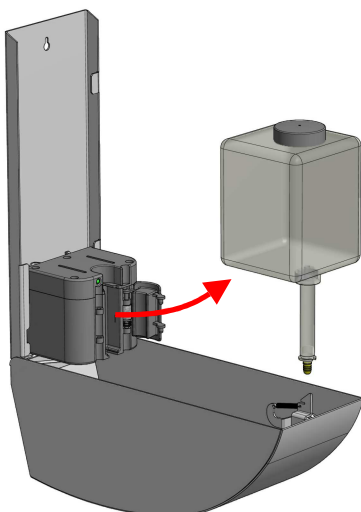
1. Open the front cover using the supplied square key



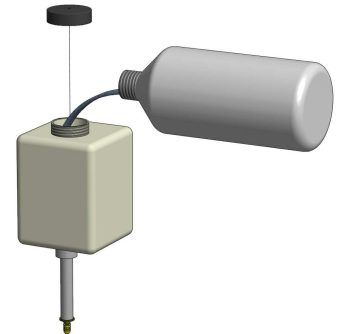
2. Open the flap on the front of the pump housing by gently lifting it approximately 1 cm and turn it anti clockwise.



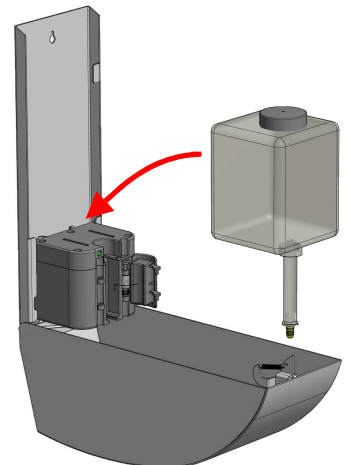
3. Remove the soap container by gently pulling it out of the pump housing.



4. Remove the cap and fill the soap container with appropriate liquid soap. Refit the cap and wipe any spilled soap.



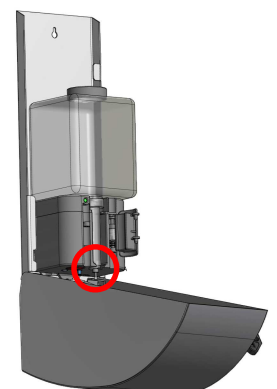
5. Mount the soap container by gently pushing it into the groove on the pump housing.




6. Pull silicone tube downwards and place the outlet nozzle in the slot. Make sure that the collar is located under the pump housing.

**If the outlet nozzle is placed or installed incorrectly, the pump will not function or its function will be decreased.**

*See next page for further instructions....*



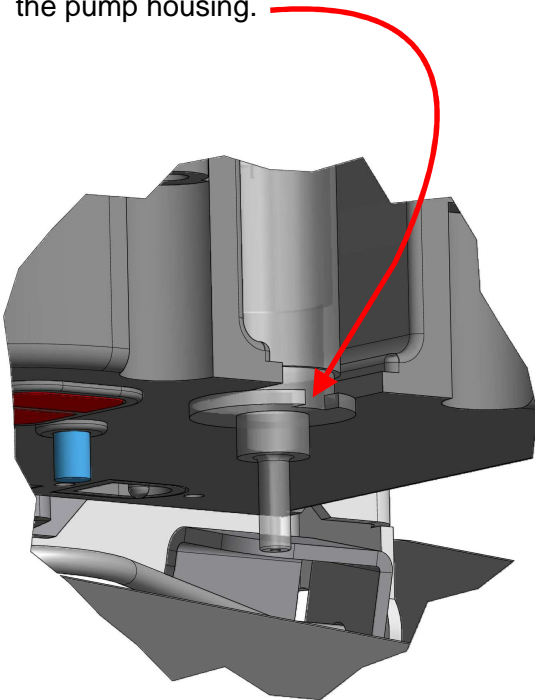


Reference	Version	Document	Lang.	Page	
EN-282 Maintenance	02.03.2014	282 Touch-free dispenser, soap/disinfect. Maintenance and service manual	ENG	8 of 14	

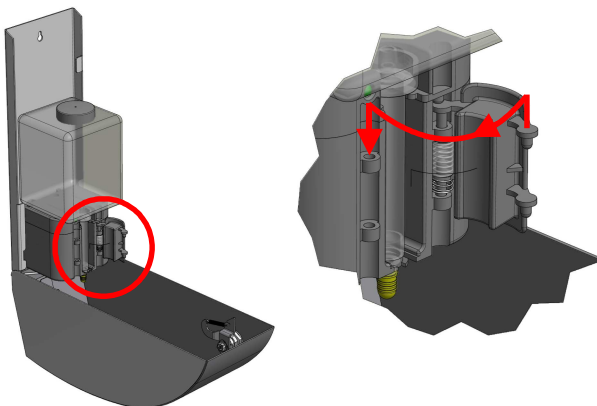
## Soap filling (continued):

6. (continued...)

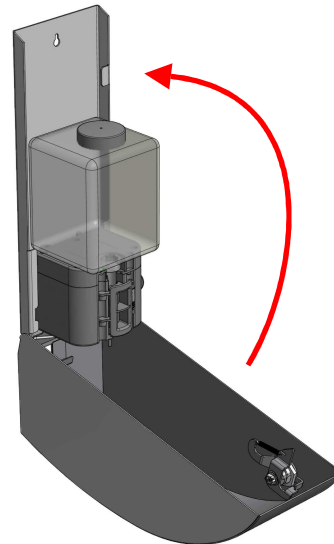
Make sure that the collar is located under the pump housing.




7. Close the flap on the front of the pump housing by turning clockwise and lifting it approximately 1 cm so the two pins fall into the guide holes.



8. Close the front cover by pushing it against the wall until you hear a "click".  
The dispenser is now ready for use.





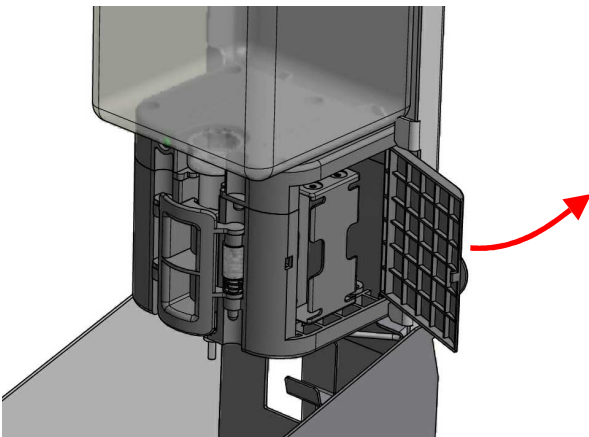
Reference	Version	Document	Lang.	Page	
EN-282 Maintenance	02.03.2014	282 Touch-free dispenser, soap/disinfect. Maintenance and service manual	ENG	9 of 14	

## Battery exchange:

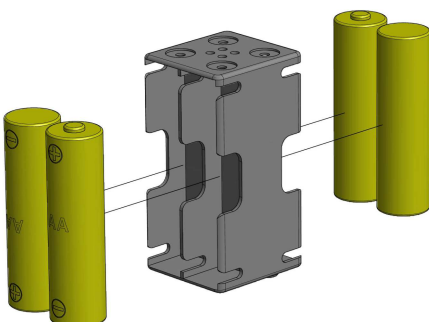
1. Open the front cover using the supplied square key



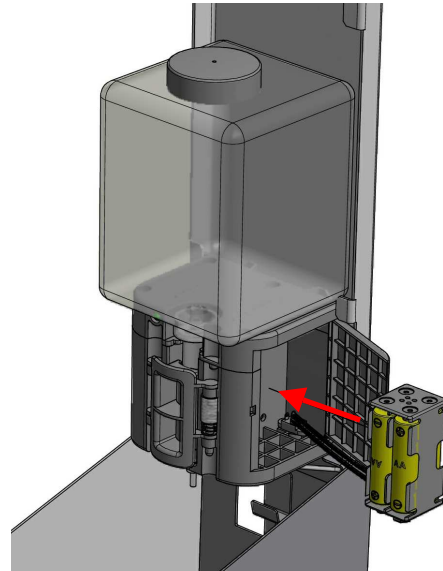
2. Open the door to the battery box.



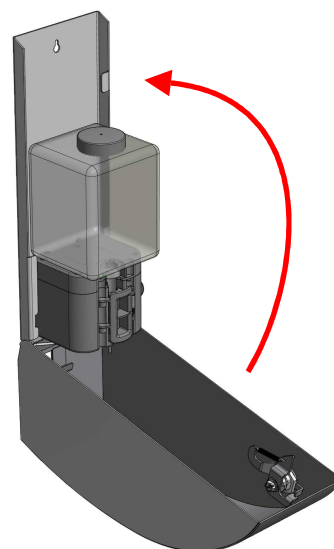
3. Carefully remove the battery box from the pump housing. Be careful not to pull the wires. Replace the four AA batteries. Be aware that they must be properly oriented with polarity as indicated inside the battery box.




4. Put the battery box back into the pump housing and gently close the door to the battery box.



5. Close the front cover by pushing it against the wall until you hear a "click". The dispenser is now ready for use.



Reference	Version	Document	Lang.	Page	
EN-282 Maintenance	02.03.2014	282 Touch-free dispenser, soap/disinfec. Maintenance and service manual	ENG	10 of 14	

## Regular maintenance:

To ensure a continued satisfactory function of the soap dispenser it is recommended regularly to remove dirt and dried soap residue from the dispenser.

The frequency of cleaning depends on the environment in which the dispenser is installed and how often it is used.

If the dispenser is used often cleaning is recommended at least once a month:

- Clean with a soft wet damp cloth the inside and outside of the dispenser.
- The pump housing must not be poured or flushed with water or other liquids.
- Always use neutral and not abrasive cleaners.
- Empty the tank for soap and rinse tank and drain hose with clean water


If the machine is rarely used, we recommend cleaning once every 6 months.

## Trouble shooting:

Problem:	Solution:
The dispenser does not work at all: (Pump function <b>cannot</b> be heard)	<ul style="list-style-type: none"> <li>• Check the 230V power supply (optional)</li> <li>• Check / clean the IR sensor for dirt or damages.</li> <li>• Check / exchange the batteries.</li> <li>• If none of the above actions corrects the problem, the pump housing must be replaced.</li> </ul> <p>NOTE THAT THE DISPENSER ONLY WORKS WITH CLOSED FRONT COVER!!</p>
The dispenser works, but no soap is delivered: (Pump function <b>can</b> be heard)	<ul style="list-style-type: none"> <li>• Make sure the soap container is not empty.</li> <li>• Check that the outlet nozzle is mounted correctly as illustrated in the chapter "Soap filling"</li> <li>• Check that the outlet tube is screwed correctly on the soap container.</li> <li>• Check that the outlet tube is not defective or leaking.</li> <li>• If none of the above actions corrects the problem, the soap container and outlet tube must be replaced.</li> </ul> <p>NOTE THAT THE DISPENSER ONLY WORKS WITH CLOSED FRONT COVER!!</p>
The dispenser is dripping:	<ul style="list-style-type: none"> <li>• Remove the outlet tube and nozzle from the soap container and flush it with clean water. Attach the outlet tube and nozzle to the soap container and re-install it in the pump housing. Check that the outlet nozzle is mounted correctly as illustrated in the chapter "Soap filling"</li> <li>• If this action does not corrects the problem the outlet tube and nozzle must be replaced.</li> </ul> <p>NOTE THAT THE DISPENSER ONLY WORKS WITH CLOSED FRONT COVER!!</p>

### IMPORTANT:

**If the unit is returned to DAN DRYER it must be accompanied by a detailed description of the problem.**

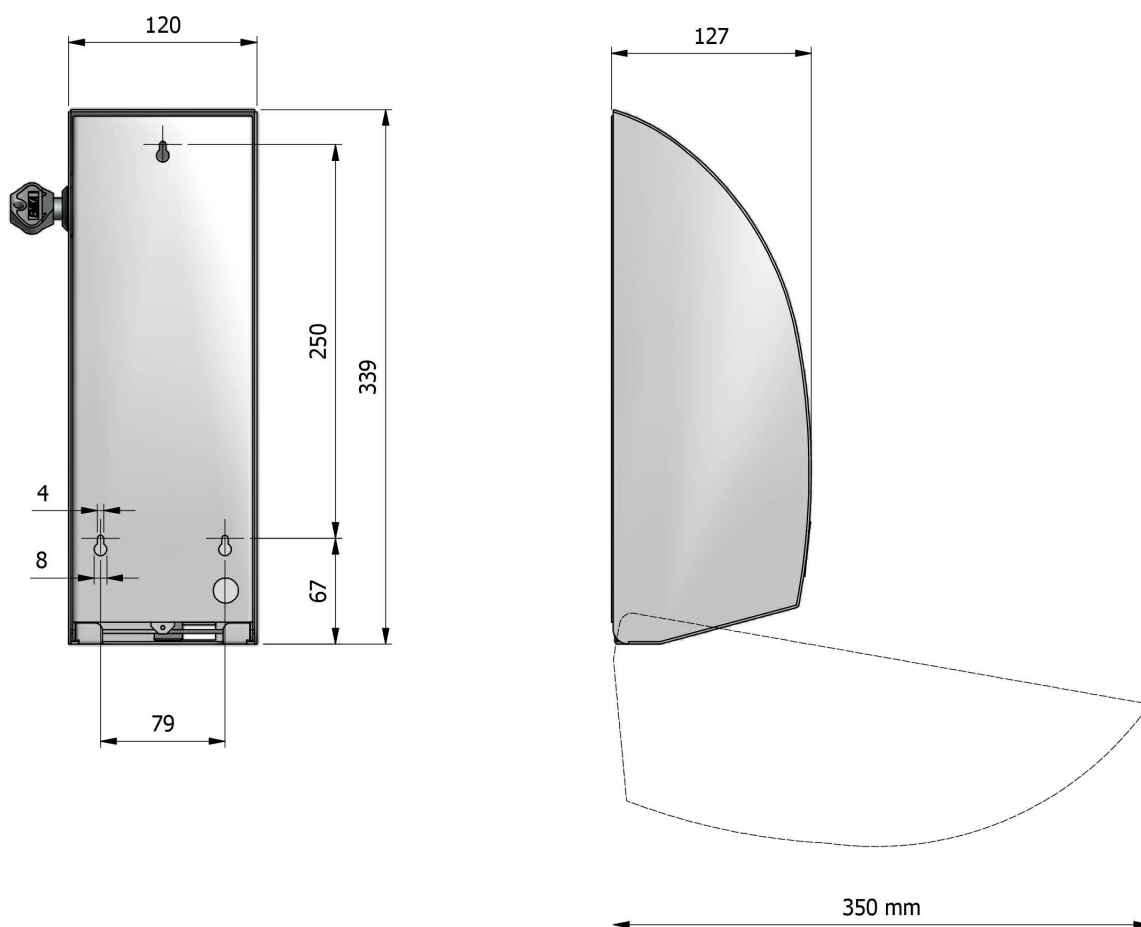
Reference	Version	Document	Lang.	Page	
EN-282 Maintenance	02.03.2014	282 Touch-free dispenser, soap/disinfect. Maintenance and service manual	ENG	11 of 14	


## Technical specifications

Power supply: 4 x AA batteries.

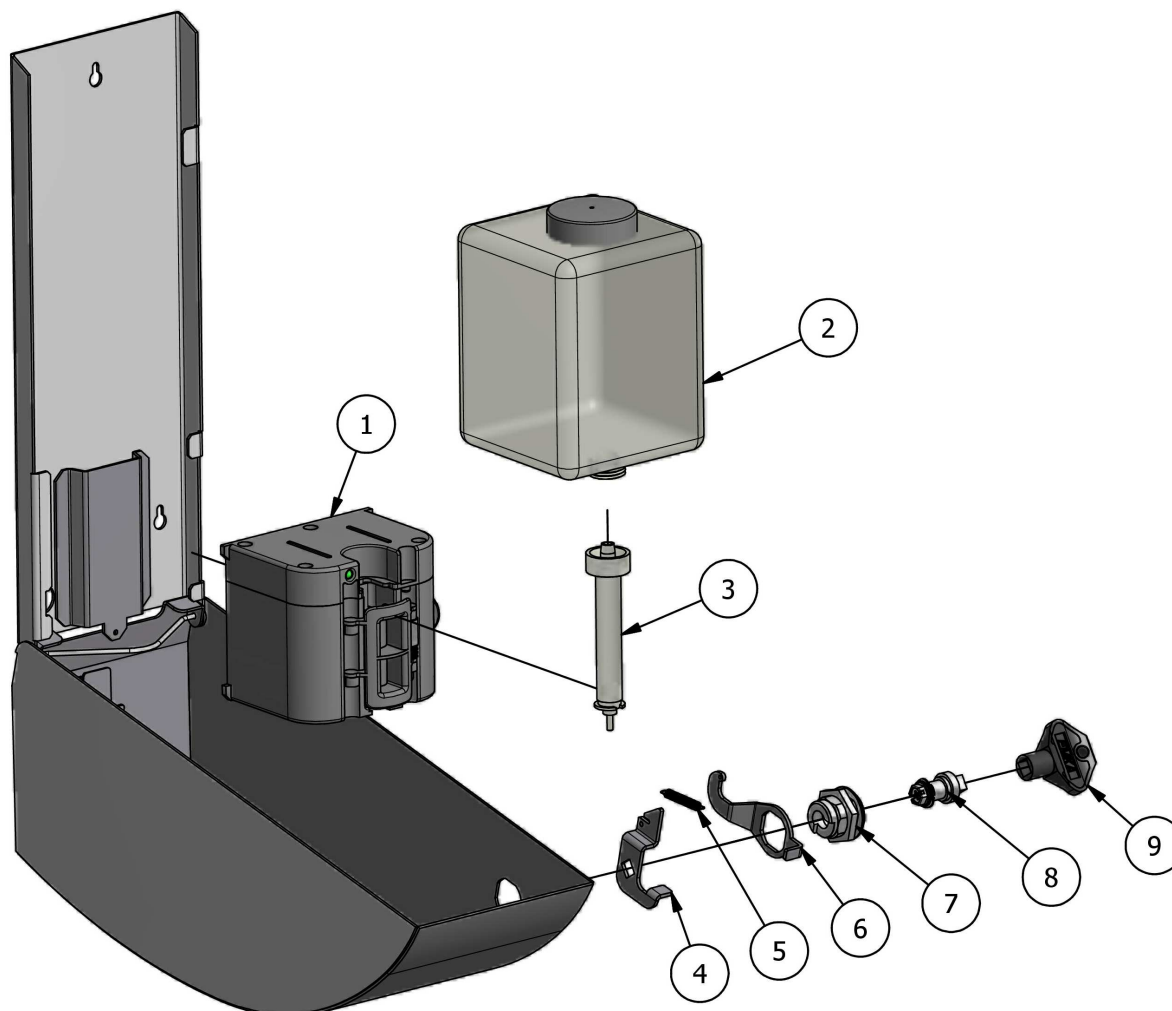
Optional power supply: Transformer 100-240V, 50/60, 0.5A, IP20

## Dimensions:




Reference	Version	Document	Lang.	Page	
EN-282 Maintenance	02.03.2014	282 Touch-free dispenser, soap/disinfec. Maintenance and service manual	ENG	12 of 14	

## Spare parts:



Pos.	Product name	Article No.
1	Pump housing	10842
2	Soap container	10836
3	Outlet tube with nozzle	10845
4	Lock hook	282-075
5	Spring	28404
6	Bracket for spring	28506
7	Lock housing	28200
8	Lock insert	28201
9	Key (square)	28202

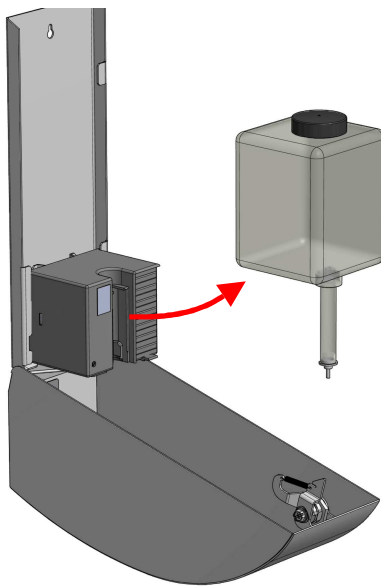
Reference	Version	Document	Lang.	Page	
EN-282 Maintenance	02.03.2014	282 Touch-free dispenser, soap/disinfect. Maintenance and service manual	ENG	13 of 14	

## Appendix A - Soap filling (old version):

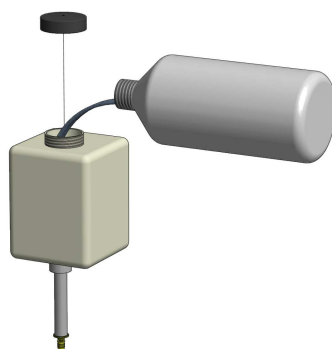
1. Open the front cover using the supplied square key



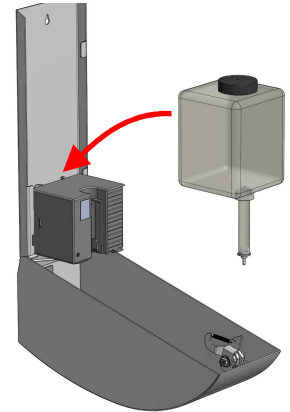
2. Remove the soap container by gently pulling it out of the pump housing.



3. Remove the cap and fill the soap container with appropriate liquid soap. Refit the cap and wipe any spilled soap.

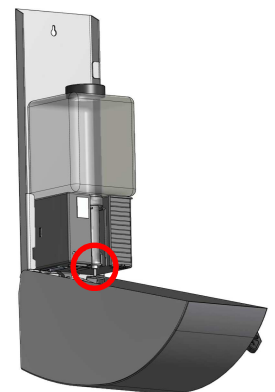


4. Mount the soap container by gently pushing it into the groove on the pump housing.

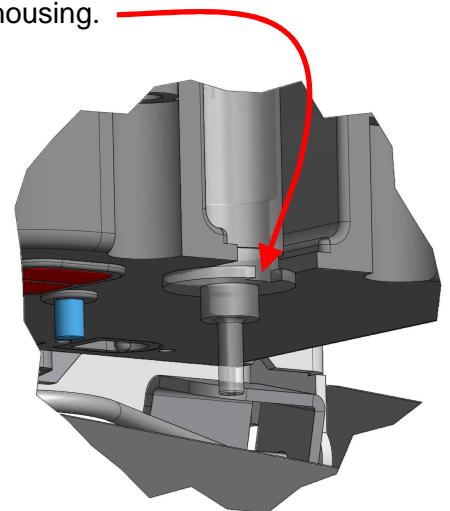


5. Pull silicone tube downwards and place the outlet nozzle in the slot. Make sure that the collar is located under the pump housing.


**If the outlet nozzle is placed or installed incorrectly, the pump will not function or its function will be decreased.**



Make sure that the collar is located under the pump housing.



6. Close the front cover by pushing it against the wall until you hear a "click". The dispenser is now ready for use.

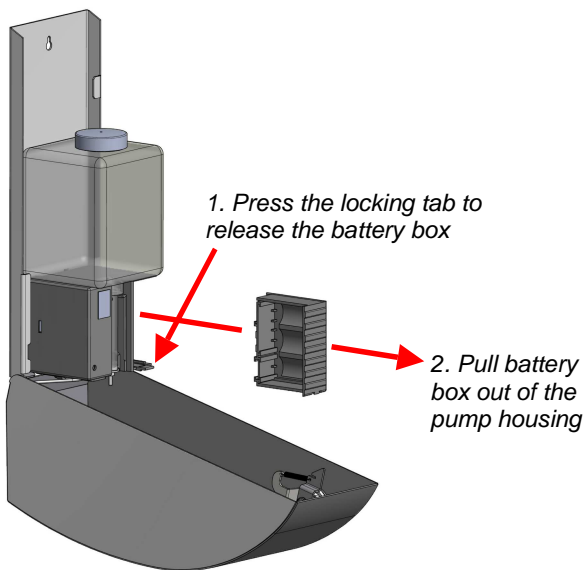
Reference	Version	Document	Lang.	Page	
EN-282 Maintenance	02.03.2014	282 Touch-free dispenser, soap/disinfect. Maintenance and service manual	ENG	14 of 14	

## Appendix B - Battery exchange (old version):

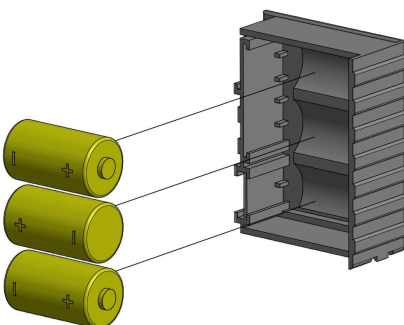
1. Open the front cover using the supplied square key



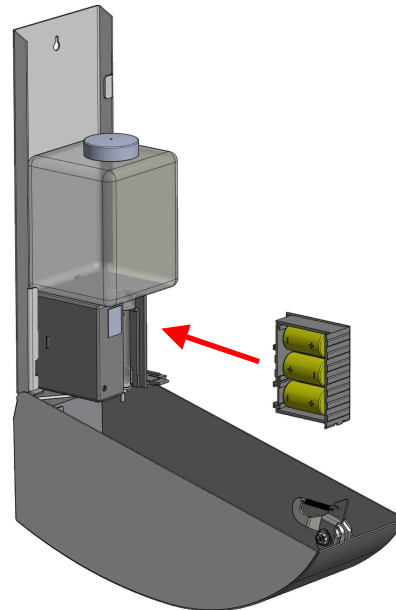
2. Open the door to the battery box.



3. Replace the three C type batteries. Be aware that they must be properly oriented with polarity as shown on the illustration.



4. Slide the battery box back into the pump housing and gently push it until you hear a "click"



5. Close the front cover by pushing it against the wall until you hear a "click". The dispenser is now ready for use.

